

Service
Service
Service



Service Manual



TABLE OF CONTENTS

	Page
Technical specification	1-2
Service measurement setup.....	1-3
Service aids	1-4
Set Block diagram	3-1
Set Wiring diagram	4-1
Disassembly diagram	5-1
Circuit diagram	6-1
Layout diagram.....	6-2
Mechanical Exploded view	7-1

© Copyright 2010 Philips Consumer Electronics B.V. Eindhoven, The Netherlands
All rights reserved. No part of this publication may be reproduced, stored in a retrieval system or transmitted, in any form or by any means, electronic, mechanical, photocopying, or otherwise without the prior permission of Philips.

Published by LX 1034 Service Audio

Printed in The Netherlands

Subject to modification

3141 785 35141



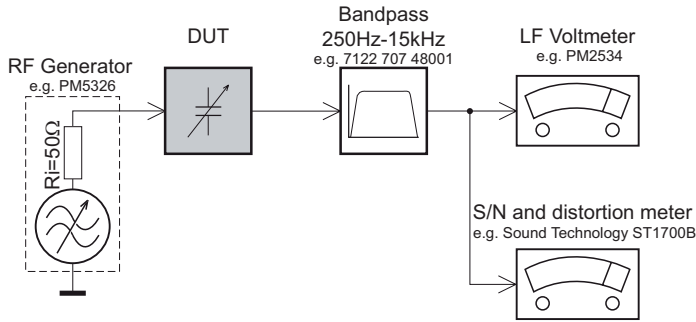
Version 1.1



PHILIPS

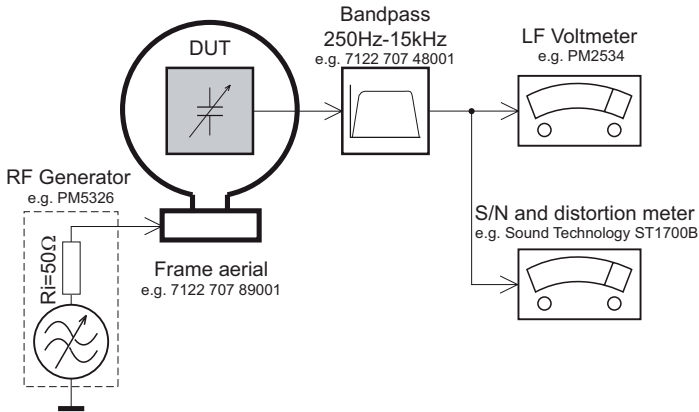
MEASUREMENT SETUP

Tuner FM



Use a bandpass filter to eliminate hum (50Hz, 100Hz) and disturbance from the pilotone (19kHz, 38kHz).

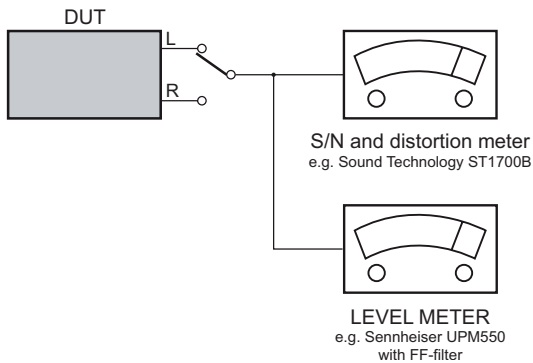
Tuner AM (MW,LW)



To avoid atmospheric interference all AM-measurements have to be carried out in a Faraday's cage. Use a bandpass filter (or at least a high pass filter with 250Hz) to eliminate hum (50Hz, 100Hz).

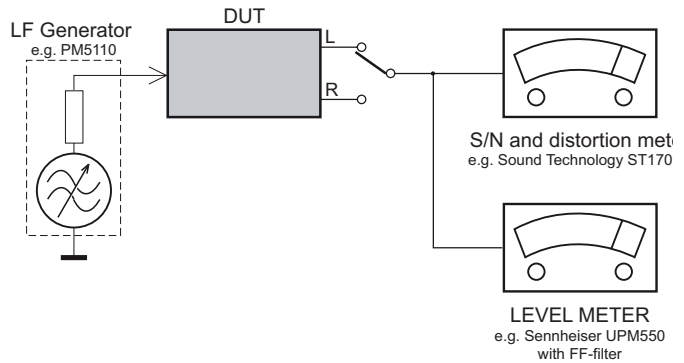
CD

Use Audio Signal Disc SBC429 4822 397 30184 (replaces test disc 3)



Recorder

Use Universal Test Cassette Cr02 SBC419 4822 397 30069 or Universal Test Cassette Fe SBC420 4822 397 30071



SERVICE AIDS

GB WARNING

All ICs and many other semi-conductors are susceptible to electrostatic discharges (ESD). Careless handling during repair can reduce life drastically.

When repairing, make sure that you are connected with the same potential as the mass of the set via a wrist wrap with resistance. Keep components and tools also at this potential.

ESD



GB

Safety regulations require that the set be restored to its original condition and that parts which are identical with those specified, be used

Safety components are marked by the symbol Δ .

**CLASS 1
LASER PRODUCT**

INFORMATION ABOUT LEAD-FREE SOLDERING

Philips CE is producing lead-free sets from 1.1.2005 onwards.

IDENTIFICATION:

Regardless of special logo (not always indicated) one must treat all sets from 1 Jan 2005 onwards, according next rules:



- On our website www.atyourservice.ce.Philips.com you find more information to:
 - * BGA-de-/soldering (+ baking instructions)
 - * Heating-profiles of BGAs and other ICs used in Philips-sets
 - * Lead free

You will find this and more technical information within the "magazine", chapter "workshop news".

For additional questions please contact your local repair-helpdesk.

SERVICE INSTRUCTION

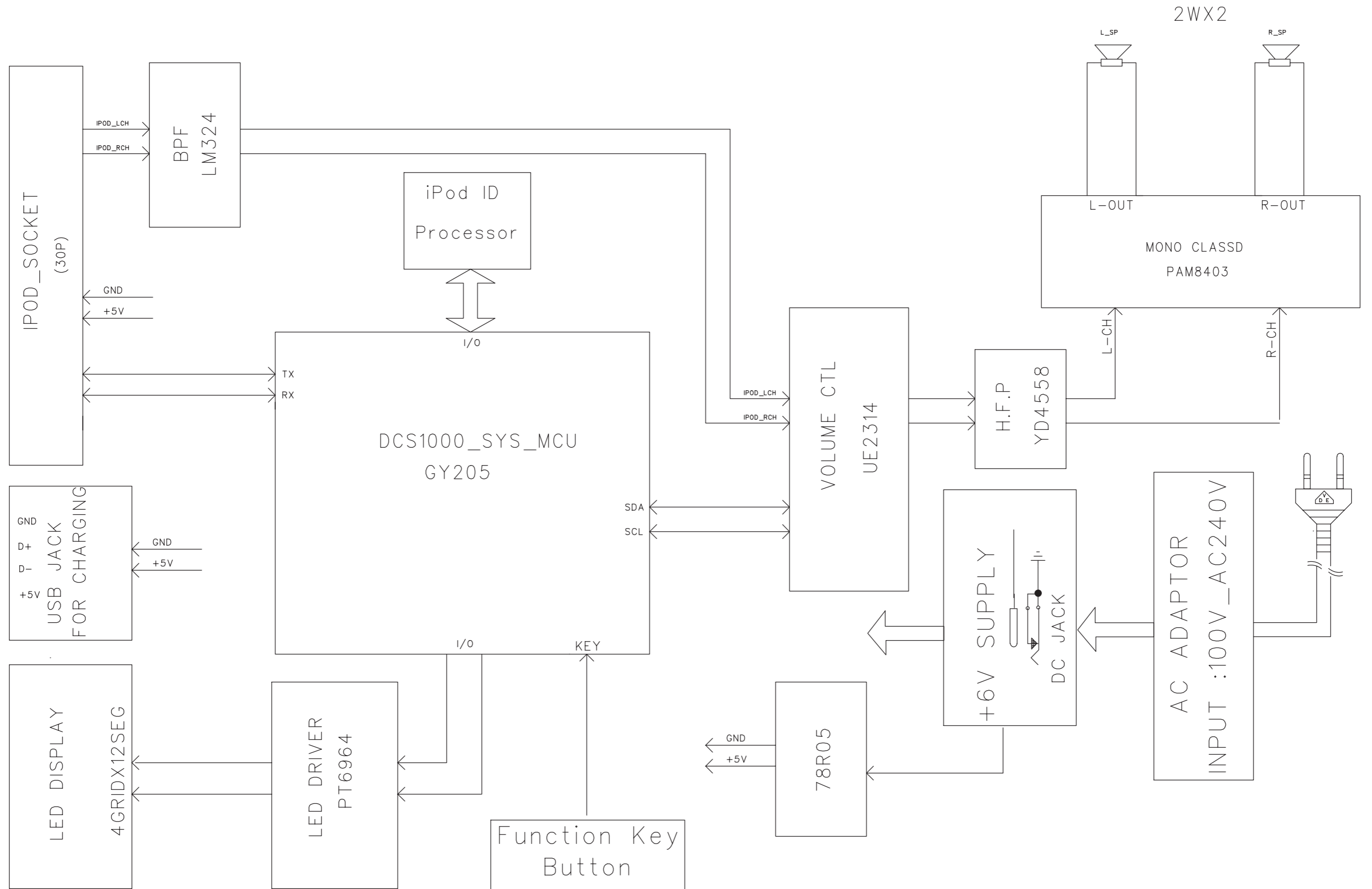
Safety regulations require that after a repair, the set must be returned in its original condition. Pay in particular attention to the following points:

- Route the wire trees correctly and fix them with the mounted cable clamps.
- Check the insulation of the AC Power lead for external damage.
- Check the strain relief of the AC Power cord for proper function.
- Check the electrical DC resistance between the AC Power Plug and the secondary side (only for sets which have a AC Power isolated power supply):
 1. Unplug the AC Power cord and connect a wire between the two pins of the AC Power plug.
 2. Set the AC Power switch to the "on" position (keep the AC Power cord unplugged!).
 3. Measure the resistance value between the pins of the AC Power plug and the metal shielding of the tuner or the aerial connection on the set. The reading should be larger than 4.5 Mohm (For U.S. it should be between 4.2 Mohm and 12 Mohm).
 4. Switch "off" the set, and remove the wire between the two pins of the AC Power plug.
- Check the cabinet for defects, to avoid touching of any inner parts by the customer.

BLOCK DIAGRAM

3-1

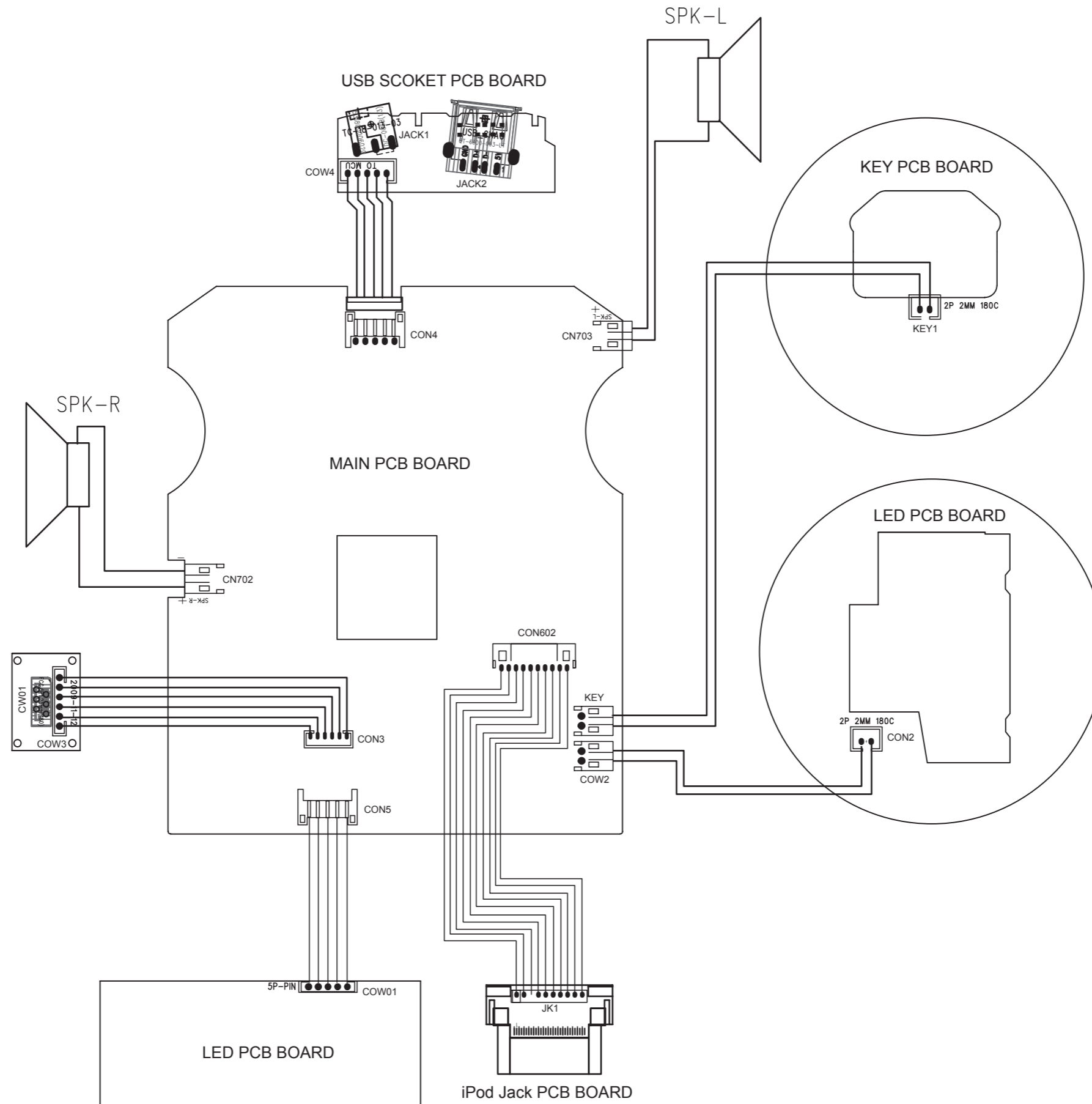
3-1



WIRING DIAGRAM

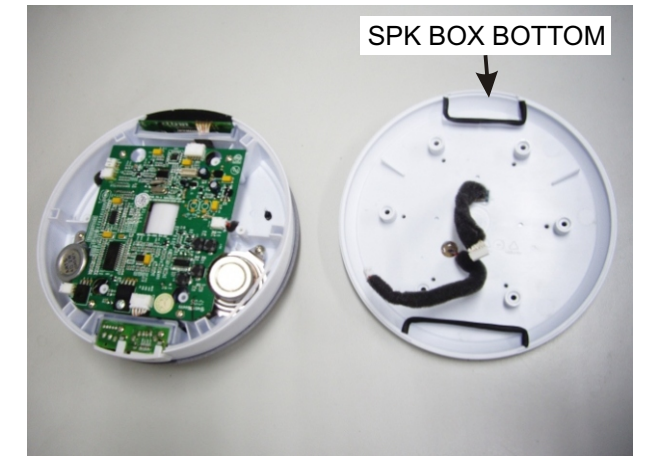
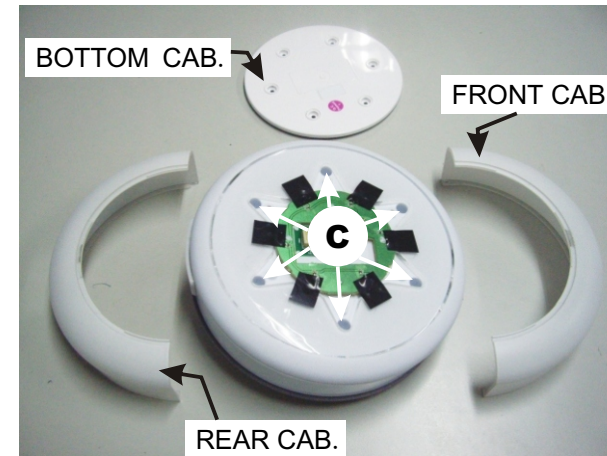
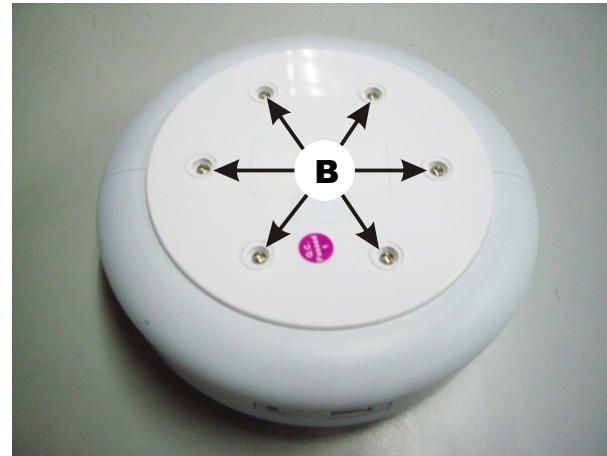
4-1

4-1

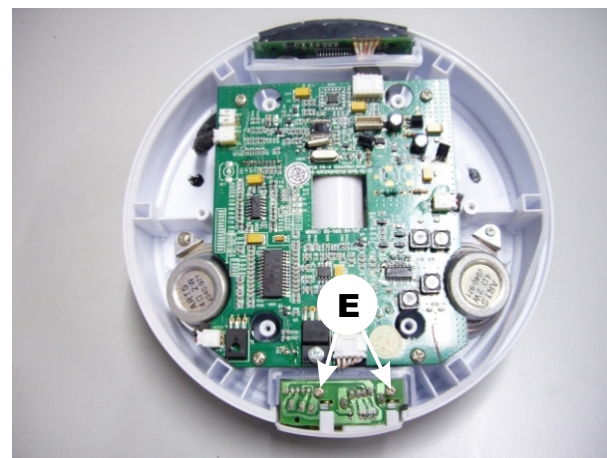
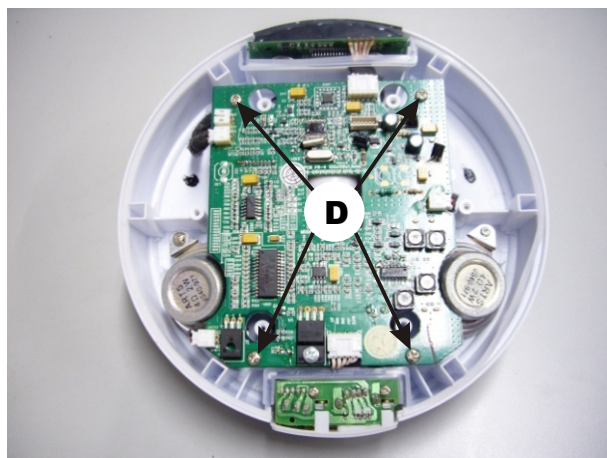


DISASSEMBLY DIAGRAM**Dismantling of the Bottom Cabinet**

- 1) Remove 6 rubber feet A and 6 screws B as indicated to loosen the Bottom Cabinet.
- 2) Remove 6 screws C as indicated to loosen the speaker box bottom.

**Dismantling of the PCB Board.**

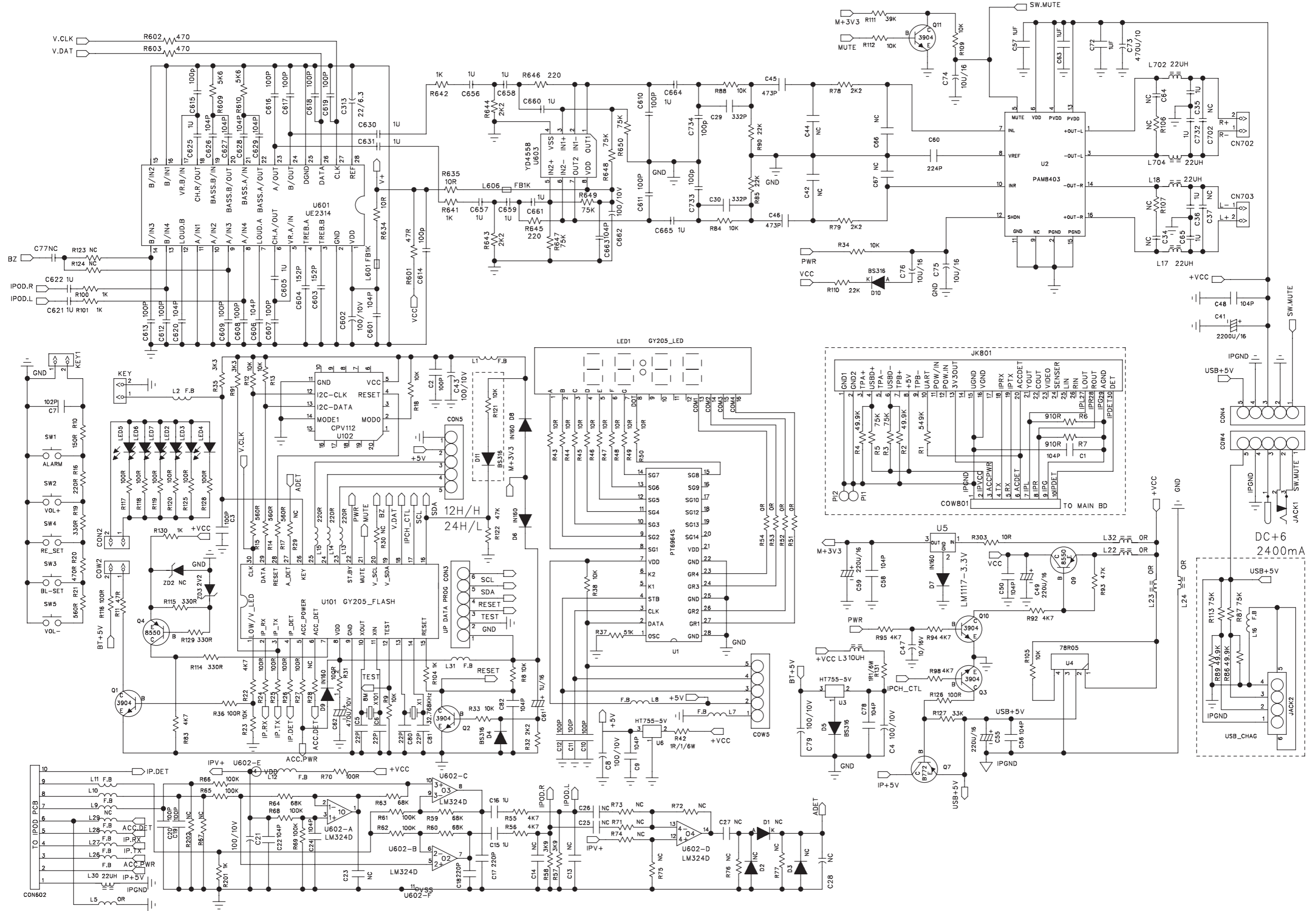
- 1) Remove 4 screws D as indicated to loosen the Main Board.
- 2) Remove 2 screws E as indicated to loosen the USB Socket Board.



CIRCUIT DIAGRAM

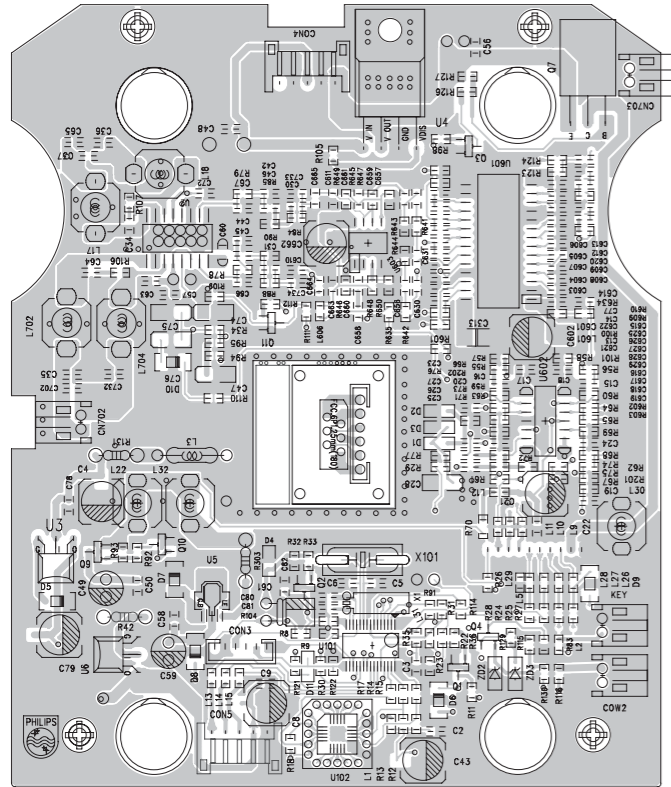
6-1

6-1

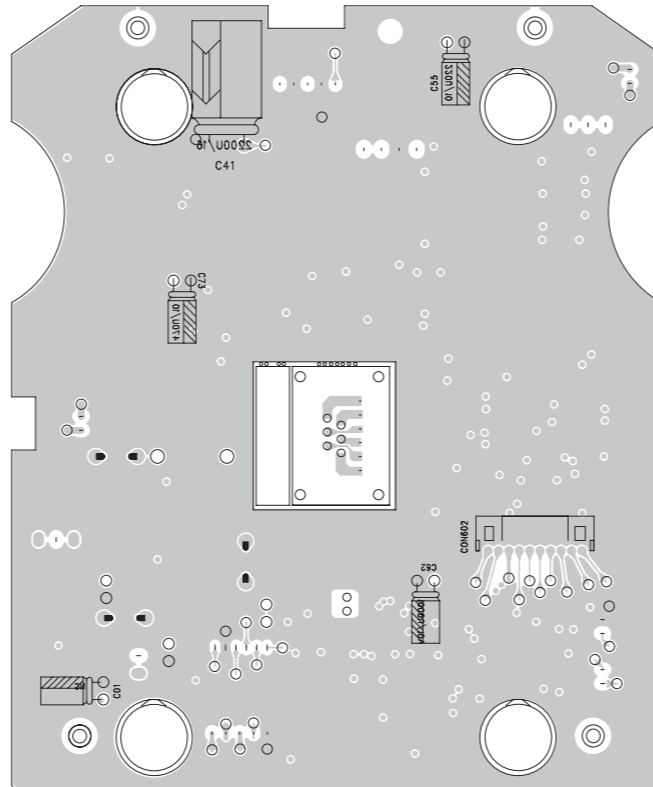


LAYOUT DIAGRAM

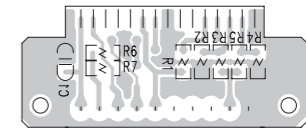
Topside of Main Board



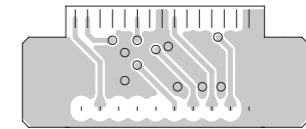
Bottomside of Main Board



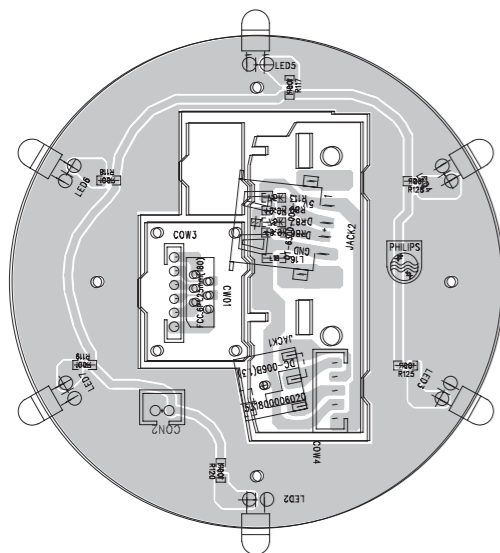
Topside of iPod Docking Board



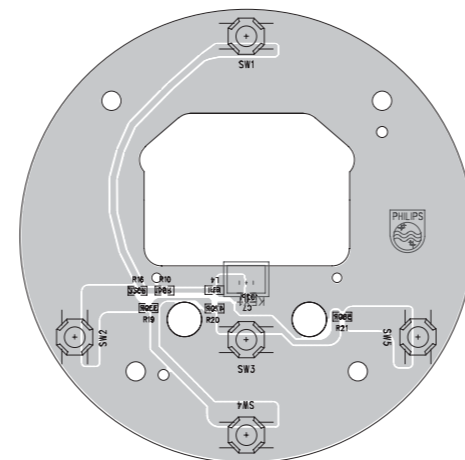
Bottomside of iPod Docking Board



USB Socket Board



Key Board



EXPLODED VIEW

7-1

7-1

